

---

---

# CITY OF MERCER ISLAND

## DEVELOPMENT SERVICES GROUP

9611 SE 36TH STREET | MERCER ISLAND, WA 98040

PHONE: 206.275.7605 | [www.mercergov.org](http://www.mercergov.org)

Inspection Requests: Online: [www.MyBuildingPermits.com](http://www.MyBuildingPermits.com) VM: 206.275.7730

---

---



## ON-SITE DETENTION DESIGN REQUIREMENTS

### General Requirements

This guidance applies only to projects that meet the thresholds specified below in “Is On-site Detention Required for My Project?” if all of the on-site stormwater BMPs included on List #1 and List #2 are determined to be infeasible for roofs and/or other hard surfaces.

### Is On-site Detention Required For My Project?

**YES**, if my project:

- 1) Results in 2,000 square feet, or greater, of new plus replaced hard surface area, or
- 2) Has a land disturbing activity or 7,000 square feet or greater, or
- 3) Results in a **net increase** of impervious surface of 500 square feet or greater.

AND

- 1) All of the on-site stormwater BMPs included on List #1 and List #2 are determined to be infeasible for roofs and/or other hard surfaces, and
- 2) Drainage from the site will be discharged to a storm and surface water system that includes a watercourse or there is a capacity constraint in the system.

**NO**, if my project:

- 1) Results in less than 2,000 square feet of new plus replaced hard surface area, and
- 2) Has a land disturbing activity less than 7,000 square feet, and
- 3) Results in a **net increase of less than 500 square feet** of impervious surface area.
- 4) The project discharges **directly** to Lake Washington, or findings from a ¼-mile downstream analysis confirm that the downstream system is free of capacity constraints.

### Designing Your On-Site Detention System

All on-site detention system designs must be prepared by a professional engineer registered in the State of Washington. The Standard On-site Detention System worksheet (Attachment 1) must be submitted on 18" x 24" (minimum) size sheets.

**Construction that results in 500 to 9,500 square feet of new plus replaced impervious surfaces:**

Size system according to Table 1. The configuration of the on-site detention system shall be as shown on Attachment 1 (Standard On-Site Detention Systems Worksheet) or as specifically designed by the engineer for the site.

**Note:**

- The applicant may pay a fee-in-lieu-of constructing an on-site detention system when allowed by the City Engineer. The fee will not be an option when in the opinion of the City Engineer, undetained runoff from the development may adversely exacerbate an existing problem (MICC 15.11) or if flow control is required by Minimum Requirement #7.
- **Construction that results in more than 9,500 square feet of new plus replaced impervious surfaces and/or exceeds a 100-year flow frequency of 0.15 cubic feet per second (for moderate and steep sloped sites greater than a 5% slope):** Size system according to Minimum Requirement #7 (Flow Control) in the Stormwater Management Manual for Western Washington (Ecology 2014).

**Table 1**

ON-SITE DETENTION DESIGN FOR PROJECTS BETWEEN 500 SF AND 9,500 SF NEW PLUS REPLACED IMPERVIOUS SURFACE AREA

New and Replaced Impervious Surface Area (sf)	Detention Pipe Diameter (in)	Detention Pipe Length (ft)		Lowest Orifice Diameter (in) <sup>(3)</sup>		Distance from Outlet Invert to Second Orifice (ft)		Second Orifice Diameter (in)	
		B soils	C soils	B soils	C soils	B soils	C soils	B soils	C soils
500 to 1,000 sf	36"	30	22	0.5	0.5	2.2	2.0	0.5	0.8
	48"	18	11	0.5	0.5	3.3	3.2	0.9	0.8
	60"	11	7	0.5	0.5	4.2	3.4	0.5	0.6
1,001 to 2,000 sf	36"	66	43	0.5	0.5	2.2	2.3	0.9	1.4
	48"	34	23	0.5	0.5	3.2	3.3	0.9	1.2
	60"	22	14	0.5	0.5	4.3	3.6	0.9	0.9
2,001 to 3,000 sf	36"	90	66	0.5	0.5	2.2	2.4	0.9	1.9
	48"	48	36	0.5	0.5	3.1	2.8	0.9	1.5
	60"	30	20	0.5	0.5	4.2	3.7	0.9	1.1
3,001 to 4,000 sf	36"	120	78	0.5	0.5	2.4	2.2	1.4	1.6
	48"	62	42	0.5	0.5	2.8	2.9	0.8	1.3
	60"	42	26	0.5	0.5	3.8	3.9	0.9	1.3
4,001 to 5,000 sf	36"	134	91	0.5	0.5	2.8	2.2	1.7	1.5
	48"	73	49	0.5	0.5	3.6	2.9	1.6	1.5
	60"	46	31	0.5	0.5	4.6	3.5	1.6	1.3
5,001 to 6,000 sf	36"	162	109	0.5	0.5	2.7	2.2	1.8	1.6
	48"	90	59	0.5	0.5	3.5	2.9	1.7	1.5
	60"	54	37	0.5	0.5	4.6	3.6	1.6	1.4
6,001 to 7,000 sf	36"	192	128	0.5	0.5	2.7	2.2	1.9	1.8
	48"	102	68	0.5	0.5	3.7	2.9	1.9	1.6
	60"	64	43	0.5	0.5	4.6	3.6	1.8	1.5
7,001 to 8,000 sf	36"	216	146	0.5	0.5	2.8	2.2	2.0	1.9
	48"	119	79	0.5	0.5	3.8	2.9	2.2	1.7
	60"	73	49	0.5	0.5	4.5	3.6	2.0	1.6
8,001 to 8,500 sf <sup>(1)</sup>	36"	228	155	0.5	0.5	2.8	2.2	2.1	1.9
	48"	124	84	0.5	0.5	3.7	2.9	1.9	1.8
	60"	77	53	0.5	0.5	4.6	3.6	2.0	1.6
8,501 to 9,000 sf	36"	NA <sup>(1)</sup>	164	0.5	0.5	NA <sup>(1)</sup>	2.2	NA <sup>(1)</sup>	1.9
	48"	NA <sup>(1)</sup>	89	0.5	0.5	NA <sup>(1)</sup>	2.9	NA <sup>(1)</sup>	1.9
	60"	NA <sup>(1)</sup>	55	0.5	0.5	NA <sup>(1)</sup>	3.6	NA <sup>(1)</sup>	1.7
9,001 to 9,500 sf <sup>(2)</sup>	36"	NA <sup>(1)</sup>	174	0.5	0.5	NA <sup>(1)</sup>	2.2	NA <sup>(1)</sup>	2.1
	48"	NA <sup>(1)</sup>	94	0.5	0.5	NA <sup>(1)</sup>	2.9	NA <sup>(1)</sup>	2.0
	60"	NA <sup>(1)</sup>	58	0.5	0.5	NA <sup>(1)</sup>	3.7	NA <sup>(1)</sup>	1.7

**Notes:**

▪ Minimum Requirement #7 (Flow Control) is required when the 100-year flow frequency causes a 0.15 cubic feet per second increase (when modeled in WWHM with a 15-minute timestep). Breakpoints shown in this table are based on a flat slope (0-5%). The 100-year flow frequency will need to be evaluated on a site-specific basis for projects on moderate (5-15%) or steep (> 15%) slopes.

- Soil type to be determined by geotechnical analysis or soil map.
- Sizing includes a Volume Correction Factor of 120%.
- Upper bound contributing area used for sizing.

<sup>(1)</sup> On Type B soils, new plus replaced impervious surface areas exceeding 8,500 sf trigger Minimum Requirement #7 (Flow Control)

<sup>(2)</sup> On Type C soils, new plus replaced impervious surface areas exceeding 9,500 sf trigger Minimum Requirement #7 (Flow Control)

<sup>(3)</sup> Minimum orifice diameter = 0.5 inches

in = inch

ft = feet

sf = square feet

**Basis of Sizing Assumptions:**

Sized per MR#5 in the Stormwater Management Manual for Puget Sound Basin (1992 Ecology Manual)

SBUH, Type 1A, 24-hour hydrograph

2-year, 24-hour storm = 2 in; 10-year, 24-hour storm = 3 in; 100-year, 24-hour storm = 4 in

Predeveloped = second growth forest (CN = 72 for Type B soils, CN = 81 for Type C soils)

Developed = impervious (CN = 98)

0.5 foot of sediment storage in detention pipe

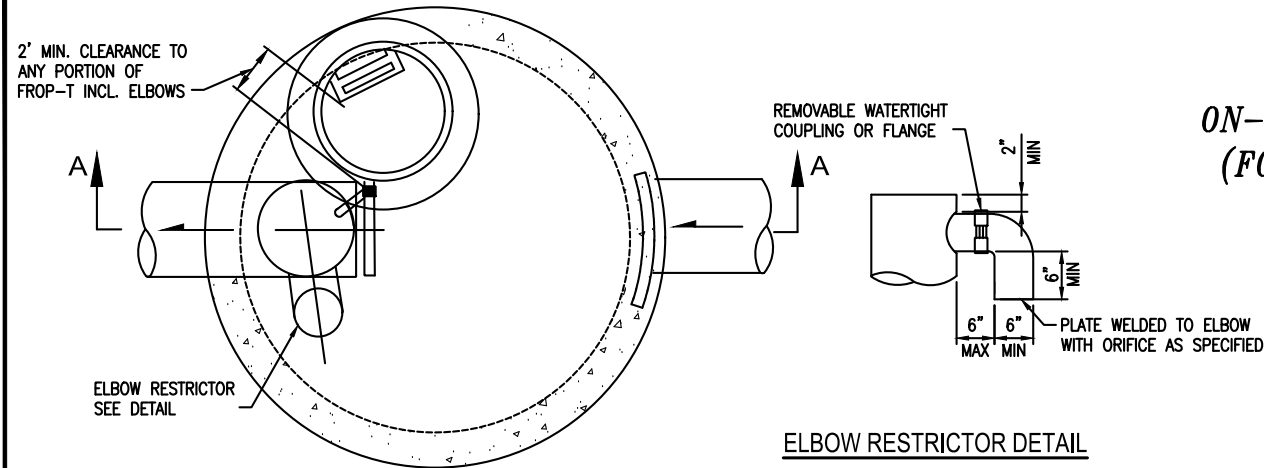
Overland slope = 5%

**ATTACHMENT 1**  
**CITY OF MERCER ISLAND**  
**ON-SITE DETENTION SYSTEM WORKSHEET**  
**(FOR NEW PLUS REPLACED IMPERVIOUS**  
**AREA OF 9,500 SF OR LESS)**



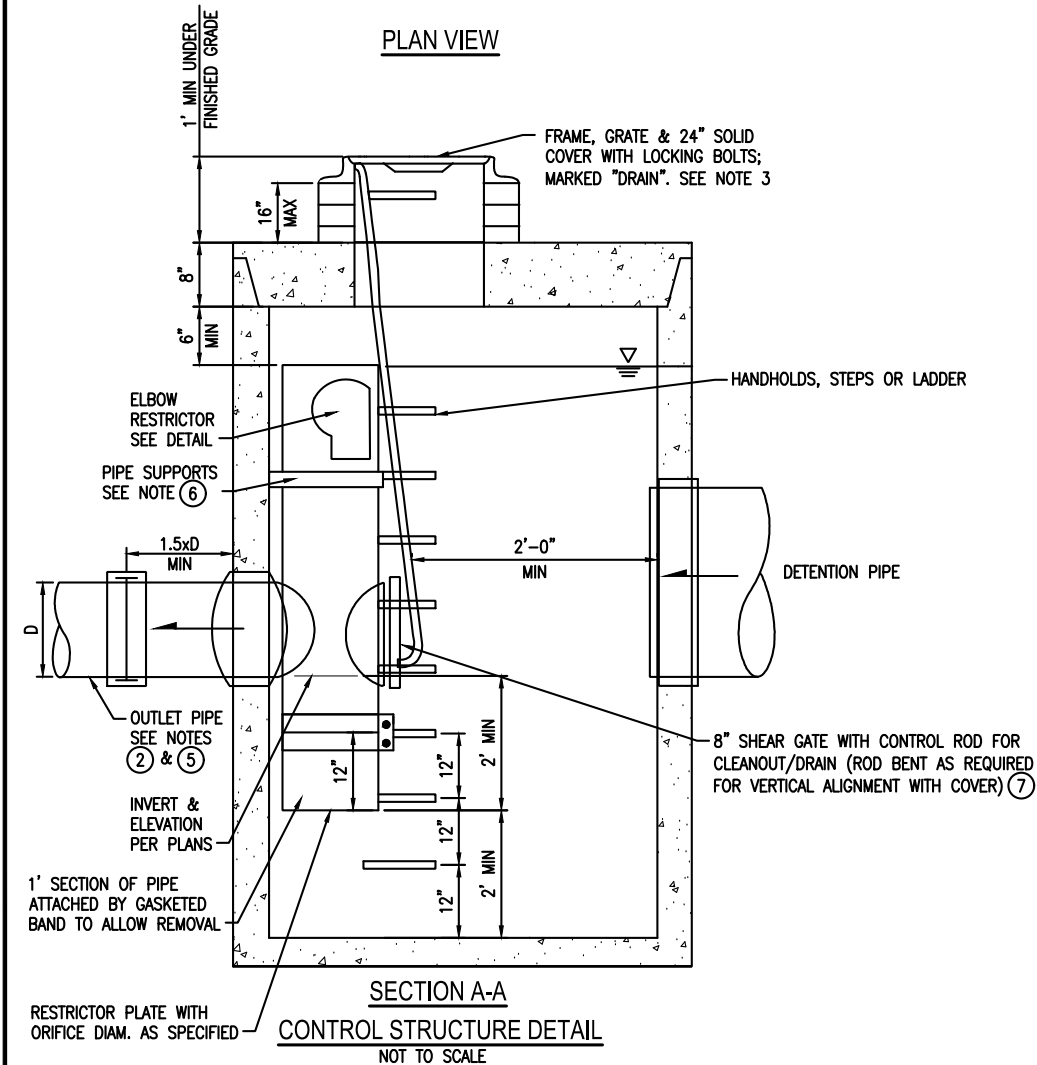
09/10/2021

OWNER: KOLBE	ADDRESS: 7001 82ND AVE SE	PREPARED BY: ZACHARY CRUM, P.E.
PERMIT #: TBD	MERCER ISLAND, WA	PHONE: (253) 627-4367
		DATE: 08/13/2021
NEW PLUS REPLACED IMPERVIOUS SURFACE AREA (SF): 2,155	DETENTION PIPE DIA (INCH): 60	DETENTION PIPE LENGTH (FT): 30
SOIL TYPE: ARENTS, ALDERWOOD MATERIAL (HSG B/D)	PIPE MATERIAL: PER ON-SITE DETENTION SYSTEM NOTE #3	ORIFICE #1 DIA 0.5 INCH, ELEV 279.00'
		ORIFICE #2 DIA 0.9 INCH, ELEV 285.20'

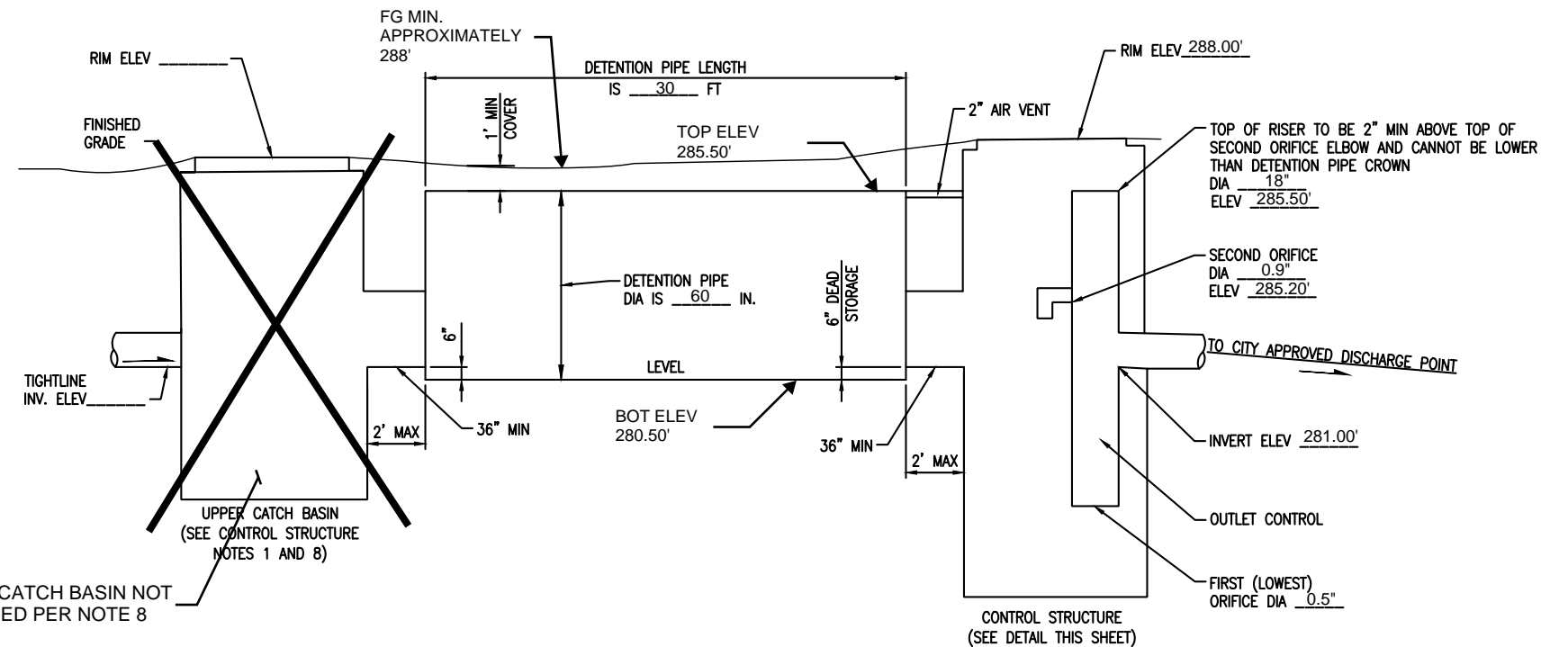


PLAN VIEW

ELBOW RESTRICTOR DETAIL



SECTION A-A  
CONTROL STRUCTURE DETAIL  
NOT TO SCALE



ON-SITE DETENTION SYSTEM  
NOT TO SCALE (ENGINEER TO FILL IN BLANKS)

**CONTROL STRUCTURE NOTES:**

- ① USE A MINIMUM OF A 54 IN. DIAM. TYPE 2 CATCH BASIN. THE ACTUAL SIZE IS DEPENDENT ON CONNECTING PIPE MATERIAL AND DIAMETER.
- ② OUTLET PIPE: MIN. 6 INCH.
- ③ METAL PARTS: CORROSION RESISTANT. NON-GALVANIZED PARTS PREFERRED. GALVANIZED PIPE PARTS TO HAVE ASPHALT TREATMENT 1.
- ④ FRAME AND LADDER OR STEPS OFFSET SO:
  - A. CLEANOUT GATE IS VISIBLE FROM TOP;
  - B. CLIMB-DOWN SPACE IS CLEAR OF RISER AND CLEANOUT GATE;
  - C. FRAME IS CLEAR OF CURB.
- ⑤ IF METAL OUTLET PIPE CONNECTS TO CEMENT CONCRETE PIPE, OUTLET PIPE TO HAVE SMOOTH O.D. EQUAL TO CONCRETE PIPE I.D. LESS 1/4 IN.

- ⑥ PROVIDE AT LEAST ONE 3 X 0.090 GAUGE SUPPORT BRACKET ANCHORED TO CONCRETE WALL WITH 5/8 IN. STAINLESS STEEL EXPANSION BOLTS OR EMBEDDED SUPPORTS 2 IN. INTO CATCH BASIN WALL (MAXIMUM 3'-0" VERTICAL SPACING).
- ⑦ THE SHEAR GATE SHALL BE MADE OF ALUMINUM ALLOY IN ACCORDANCE WITH ASTM B 26M AND ASTM B 275, DESIGNATION ZG32A; OR CAST IRON IN ACCORDANCE WITH ASTM A 48, CLASS 30B. THE LIFT HANDLE SHALL BE MADE OF A SIMILAR METAL TO THE GATE (TO PREVENT GALVANIC CORROSION), IT MAY BE OF SOLID ROD OR HOLLOW TUBING, WITH ADJUSTABLE HOOK AS REQUIRED. A NEOPRENE RUBBER GASKET IS REQUIRED BETWEEN THE RISER MOUNTING FLANGE AND THE GATE FLANGE. INSTALL THE GATE SO THAT THE LEVEL-LINE MARK IS LEVEL WHEN THE GATE IS CLOSED. THE MATING SURFACES OF THE LID AND THE BODY SHALL BE MACHINED FOR PROPER FIT. ALL SHEAR GATE BOLTS SHALL BE STAINLESS STEEL.
- ⑧ THE UPPER CATCH BASIN IS REQUIRED IF THE LENGTH OF THE DETENTION PIPE IS GREATER THAN 50 FT.

**ON-SITE DETENTION SYSTEM NOTES:**

1. CALL DEVELOPMENT SERVICES (206-275-7605) 24 HOURS IN ADVANCE FOR A DETENTION SYSTEM INSPECTION BEFORE BACKFILLING AND FOR FINAL INSPECTIONS.
2. RESPONSIBILITY FOR OPERATION AND MAINTANANCE OF DRAINAGE SYSTEMS ON PRIVATE PROPERTY IS RESPONSIBILITY OF THE PROPERTY OWNER. MATERIAL ACCUMULATED IN THE STORAGE PIPE MUST BE REMOVED FROM CATCH BASINS TO ALLOW PROPER OPERATION. THE OUTLET CONTROL ORIFICE MUST BE KEPT OPEN AT ALL TIMES.
3. PIPE MATERIAL, JOINT, AND PROTECTIVE TREATMENT SHALL BE IN ACCORDANCE WITH SECTION 7.04 AND 9.05 OF THE WSDOT STANDARD SPECIFICATION FOR ROAD, BRIDGE, AND MUNICIPAL CONSTRUCTION, LATEST VERSION. SUCH MATERIALS INCLUDE THE FOLLOWING, LINED CORRUGATED POLYETHYLENE PIPE (LCPE), ALUMINIZED TYPE 2 CORRUGATED STEEL PIPE AND PIPE ARCH (MEETS AASHTO DESIGNATIONS M274 AND M36), CORRUGATED OR SPIRAL RIB ALUMINUM PIPE, OR REINFORCED CONCRETE PIPE. CORRUGATED STEEL PIPE IS NOT ALLOWED.
4. FOOTING DRAINS SHALL NOT BE CONNECTED TO THE DETENTION SYSTEM.